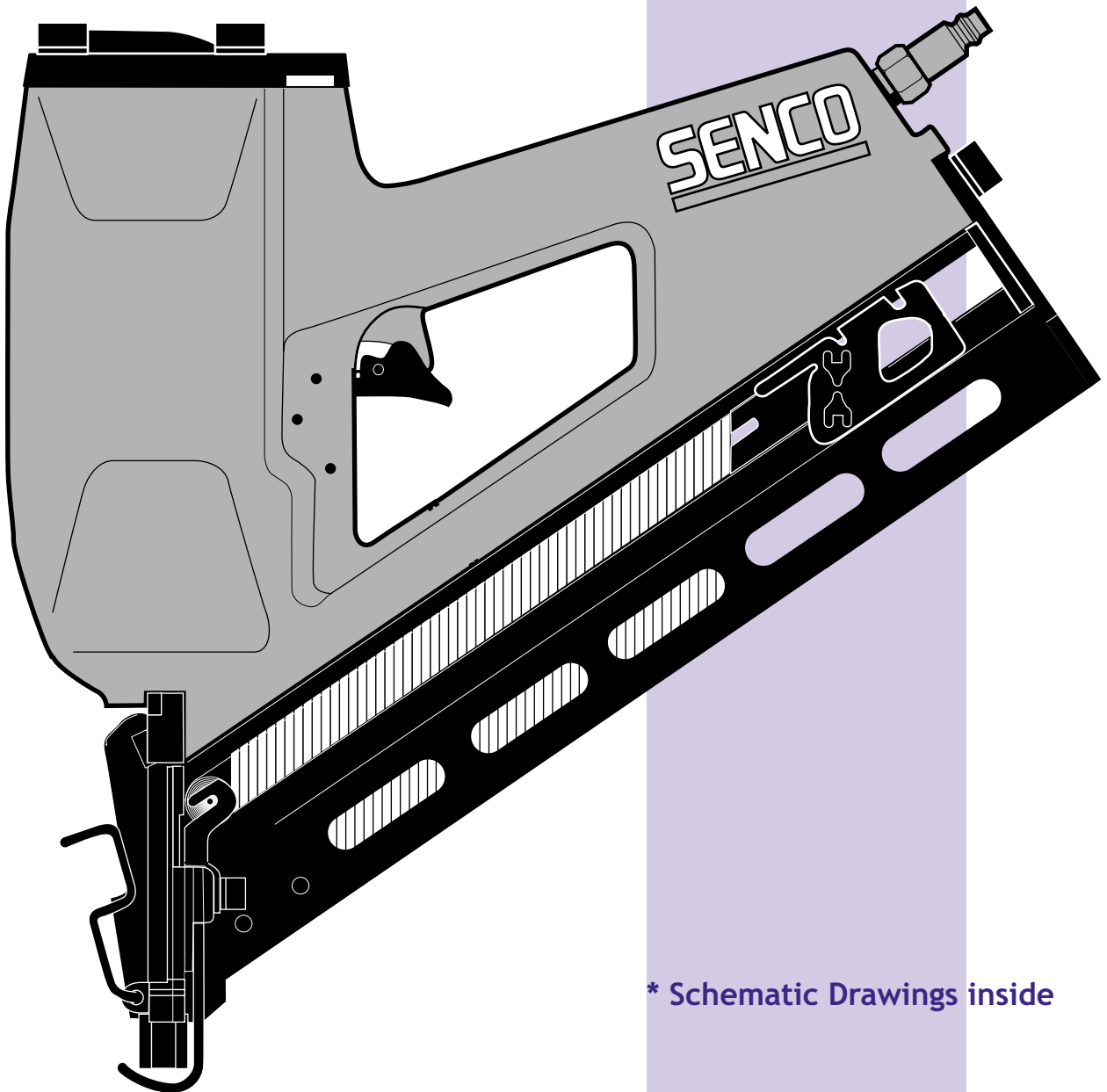


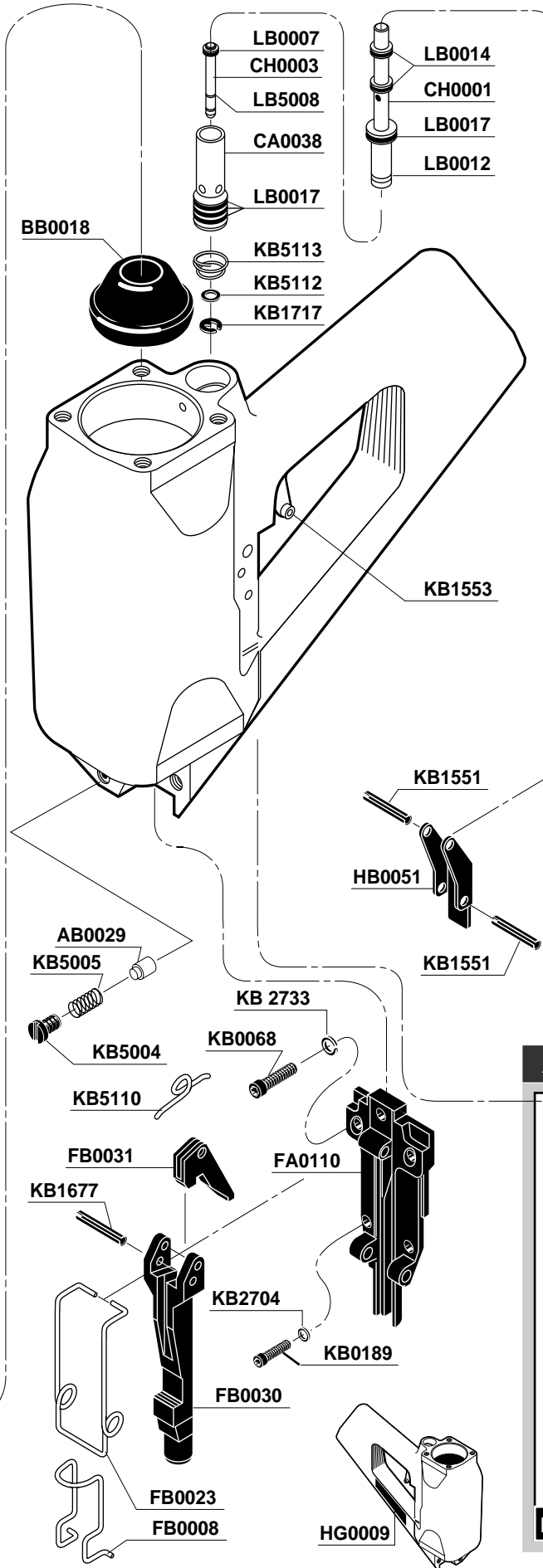
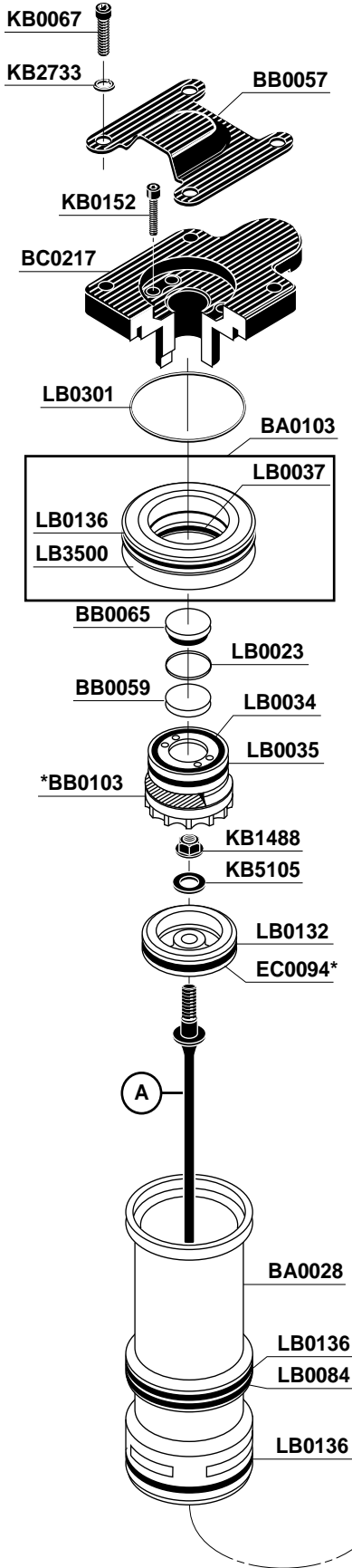
SN4

Parts Reference Guide

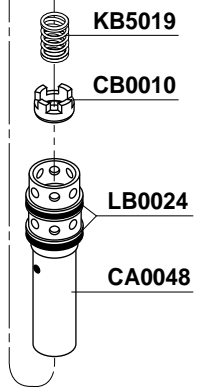
Made
in the
U.S.A. 



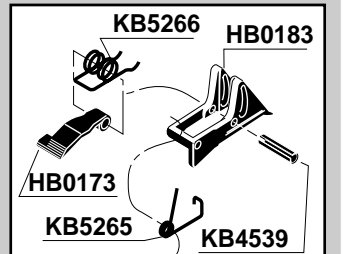
* Schematic Drawings inside



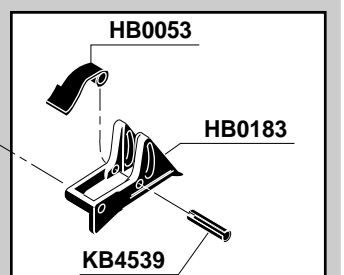
Model	A
17000 1N BF/TF	EB0171
17000 3N Toenail	EB0178



Available Triggers

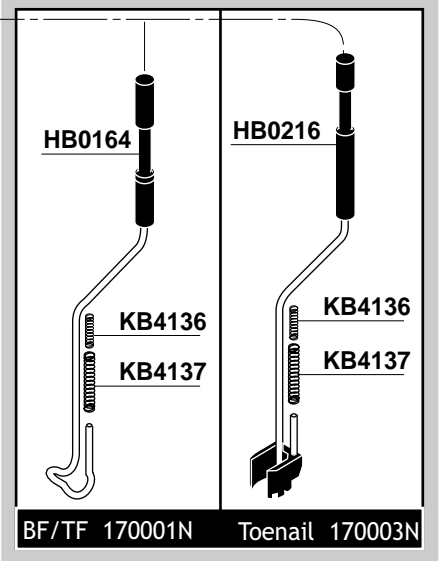


Restrictive 170003N



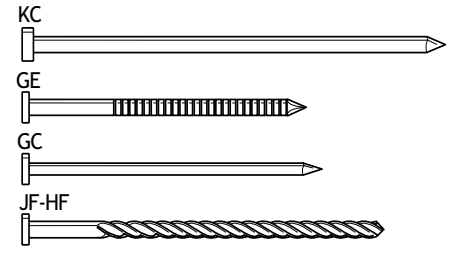
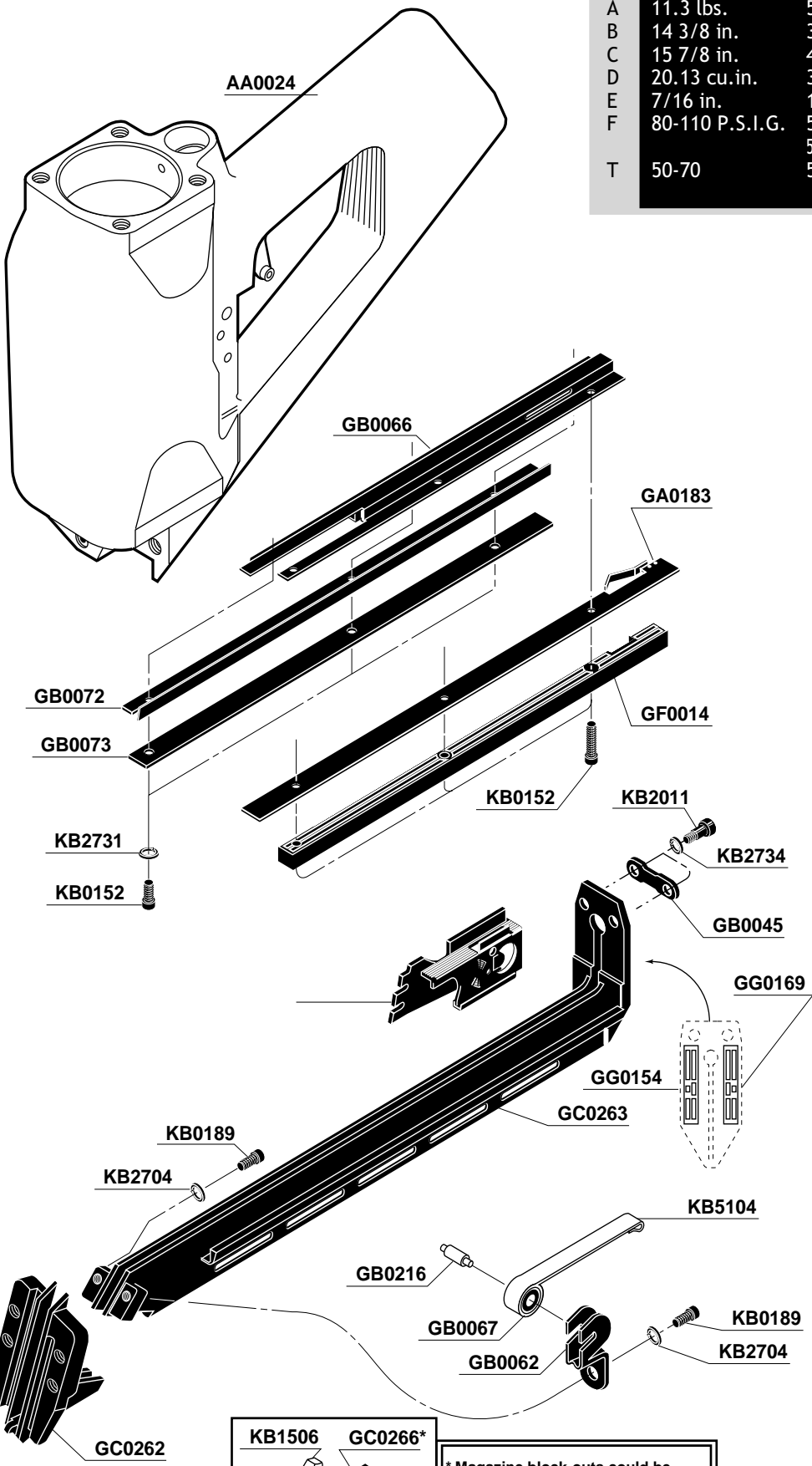
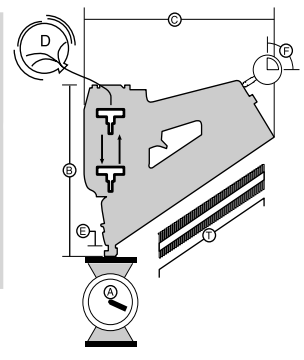
Bottom-Trip 170001N

Available Safetys

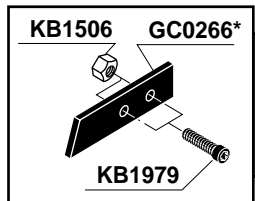
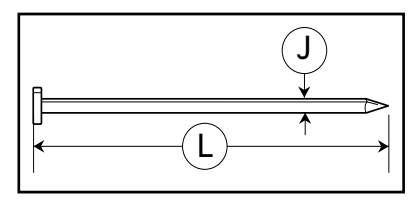


* Does Not Include O-rings
 * No incluye sellos de gomas
 * Ohne Dichtringe
 * Joints exclus

A	11.3 lbs.	5.1 kg
B	14 3/8 in.	365 mm
C	15 7/8 in.	403 mm
D	20.13 cu.in.	330cm ³
E	7/16 in.	11.1 mm
F	80-110 P.S.I.G.	5.5-7.6 bar
		5.6-7.7 kg/cm ²
T	50-70	50-70



	J	L
JF	.105-.120 12ga-11ga	2"-3" 51mm-76mm
GC	.113 11 1/2 ga	2 1/4" 57mm
GE	.113 11 1/2 ga	2"-2 3/8" 51mm-60mm
KC	.113 11 1/2 ga	3"-3 1/2" 76mm-89mm



* Magazine block-outs could be required when driving the shorter length fasteners. For additional information, contact your nearest SENCO representative.

REPLACEMENT PARTS LIST • LISTA DE PARTES DE REPUESTO • ERSATSTEILE-LISTE • LISTE DE PIÈCES DE RECHANGE

PART NO.	DESCRIPTION	DESCRIPCIÓN	BESCHREIBUNG	DÉSIGNATION
AA0024 MAIN BODY ASSY.			
AA0044 DETENT ASSY.			
AB0029 DETENT			
BA0028 CYLINDER SLEEVE ASSY.			
BA0103 FIRING VALVE ASSY.			
BB0018 PISTON STOP			
BB0057 EXHAUST DEFLECTOR			
BB0059 BUMPER			
BB0065 BUMPER KEEPER			
BB0103 EXHAUST VALVE			
BC0217 CYLINDER CAP			
CA0038 TRIGGER HOUSING ASSY.			
CA0048 VALVE CAGE ASSY.			
CB0010 VALVE CAGE INSERT			
CH0001 VALVE CORE ASSY.			
CH0003 TRIGGER CORE ASSY.			
CH0005 TRIGGER CORE & HOUSING ASSY.			
EB0171 DRIVER (REGULAR)			
EB0178 DRIVER-T/N (3/16" CSK.)			
EC0094 MAIN PISTON			
FA0103 GUIDE BODY ASSY.			
FA0110 BACKPLATE			
FB0008 LOCK SPRING			
FB0023 UPPER LOCK SPRING			
FB0030 FRONT PLATE			
FB0031 DETAINER			
GA0183 UPPER LEFT RAIL			
GA0184 FEEDER SHOE			
GB0045 RAIL PLATE			
GB0062 SPRING HOUSING			
GB0066 WEAR SHROUD			
GB0067 SPRING ROLLER			
GB0072 UPPER RIGHT RAIL			
GB0073 FEEDER CLIP GUIDE			
GB0216 PIN			
GC0262 MOUNTING PLATE			
GC0263 MAGAZINE RAIL			
GC0266 BLOCKOUT			
GF0014 FEEDERSHOE WEAR STRIP			
GG0154 LABEL (BLOCKOUT)			
GG0169 LABEL (FASTENER RANGE)			
HB0051 TRIGGER COVER			
HB0053 INNER TRIGGER			
HB0164 SAFETY ASSY.			
HB0173 TRIGGER SAFETY (RESTRICTIVE)			
HB0183 TRIGGER			
HB0216 SAFETY ASSY. (TOENAIL)			
HG0009 LABEL (SAFETY PRECAUTIONS)			
KB0067 SCREW			
KB0068 SCREW			
KB0152 SCREW			
KB0189 SCREW			
KB1488 NUT			
KB1506 NUT			
KB1551 SPRINGPIN			
KB1553 SPRINGPIN			
KB1677 PIN			
KB1717 RETAINER			
KB1979 SCREW			
KB2011 SCREW			
KB2704 WASHER			
KB2731 WASHER			
KB2733 WASHER			
KB2734 WASHER			
KB4136 SPRING			
KB4137 SPRING			
KB4539 PIN			
KB5004 SCREW			
KB5005 SPRING			
KB5104 SPRING			
KB5105 WASHER			
KB5109 SPRING			
KB5110 SPRING			
KB5112 WASHER			
KB5113 SPRING			
KB5265 SPRING (RESTRICTIVE)			
KB5266 SPRING (RESTRICTIVE)			
LB0007 SEAL			
LB0012 SEAL			
LB0014 SEAL			
LB0017 SEAL			
LB0023 SEAL			
LB0024 SEAL			
LB0034 SEAL			
LB0035 SEAL			
LB0037 SEAL			
LB0084 SEAL			
LB0132 SEAL			
LB0136 SEAL			
LB0301 SEAL			
LB3500 SEAL			
LB5008 SEAL			